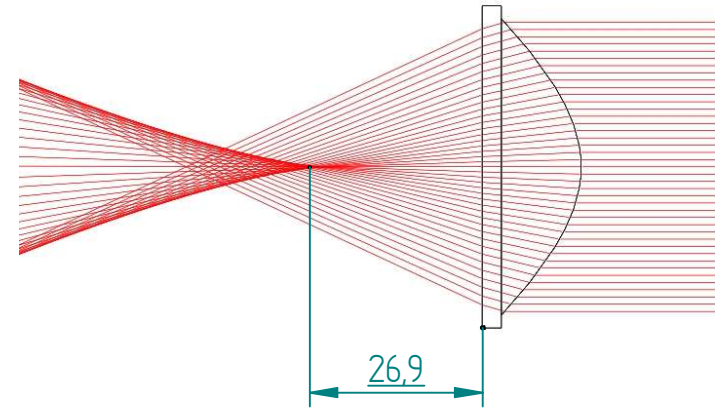
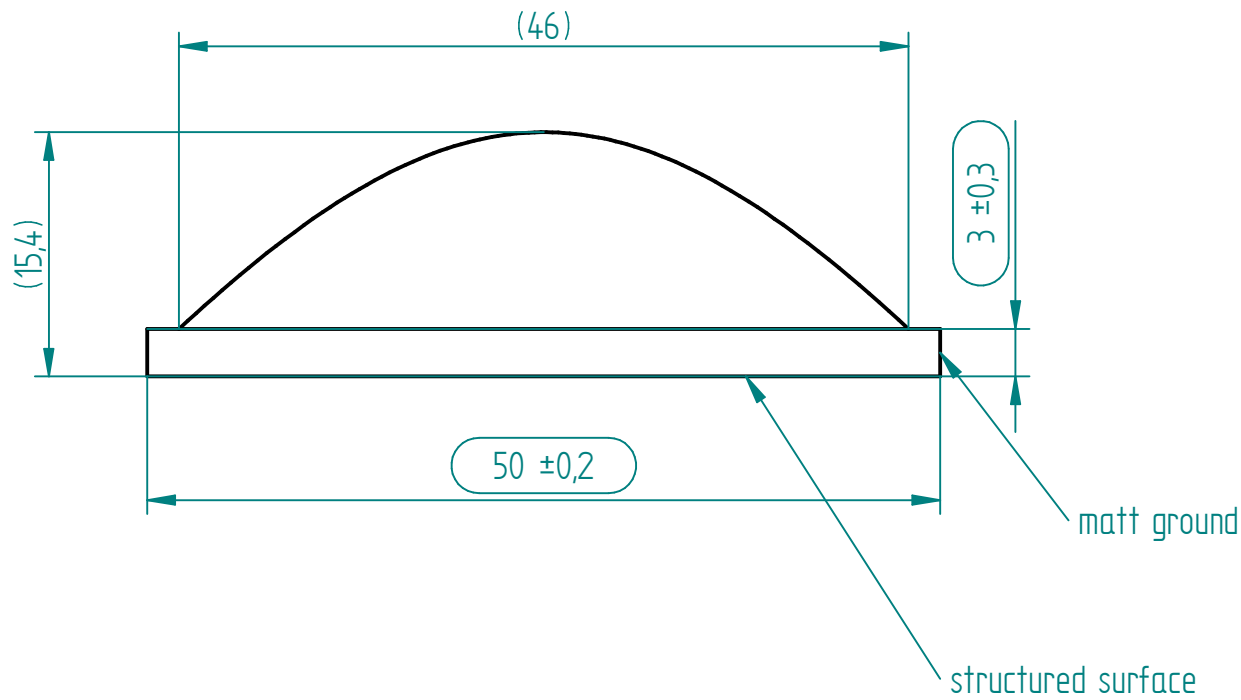



REVISION HISTORY			
REV	DESCRIPTION	DATE	APPROVED



material : GLASS  $n_d=1,520$

	NAME	DATE		
DRAWN	jkocarek	04/02/26		
CHECKED				
ENG APPR				
MGR APPR				
			TITLE	
			lens D50 smooth focus	
UNLESS OTHERWISE SPECIFIED DIMENSIONS ARE IN MILLIMETERS		SIZE A4	DWG NO A986 5015	REV EG01
		FILE NAME: A986 5015.dft		
SCALE:		WEIGHT:	SHEET 1 OF 1	