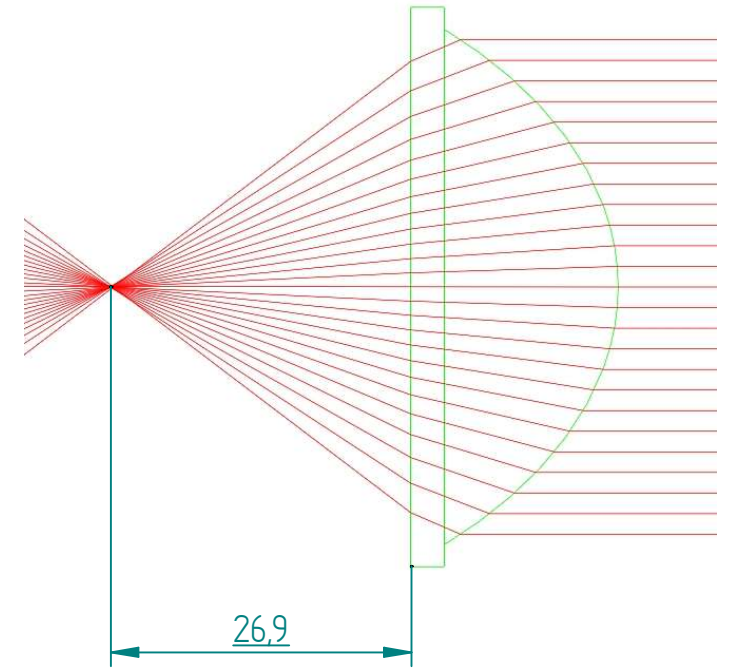
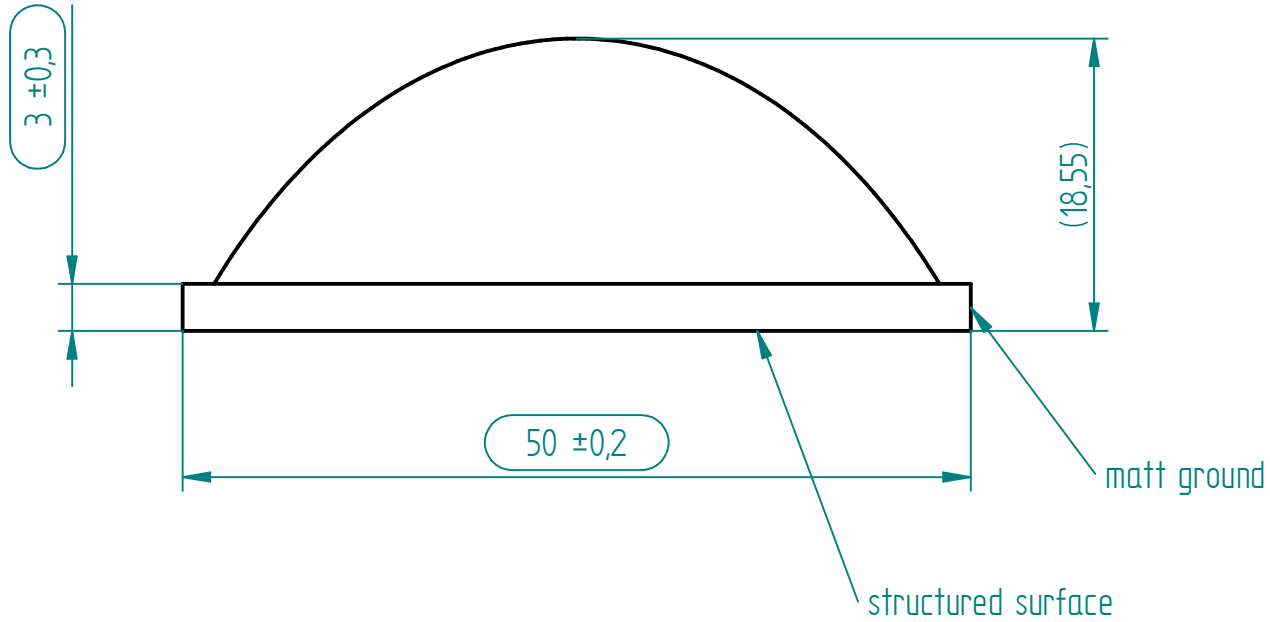



REVISION HISTORY			
REV	DESCRIPTION	DATE	APPROVED



material : GLASS  $n_d=1,52$

	NAME	DATE			
DRAWN	jkocarek	04/02/26			
CHECKED					
ENG APPR					
MGR APPR					
			TITLE		
			lens D50 BF26,9		
UNLESS OTHERWISE SPECIFIED DIMENSIONS ARE IN MILLIMETERS			SIZE	DWG NO	REV
			A4	A985 5019	EG01
			FILE NAME: A985 5019.dft		
SCALE:		WEIGHT:	SHEET 1 OF 1		