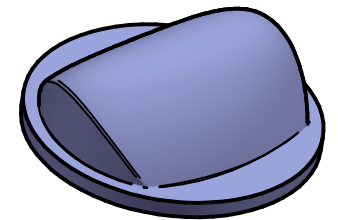
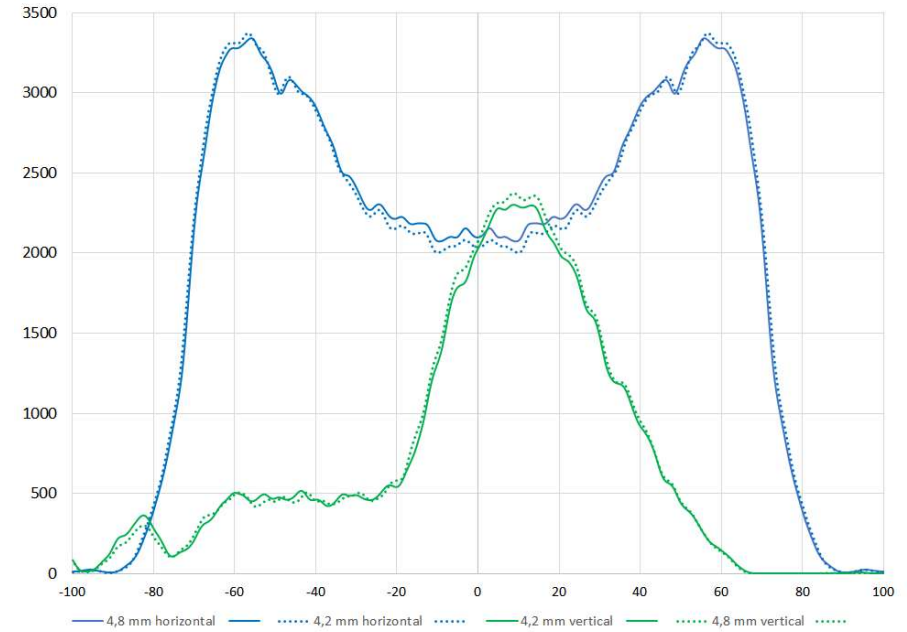
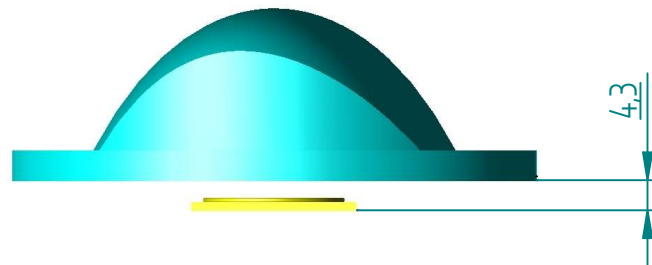
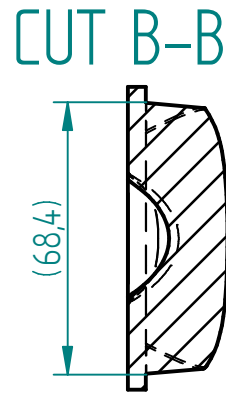
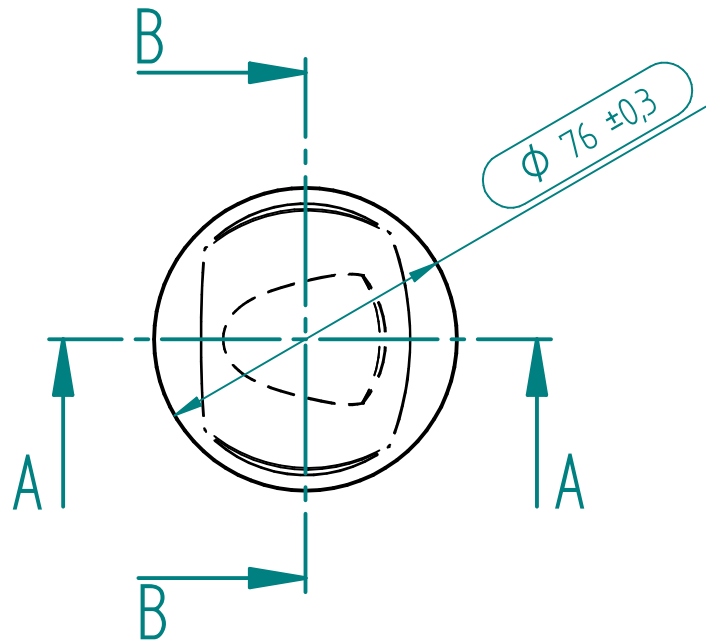
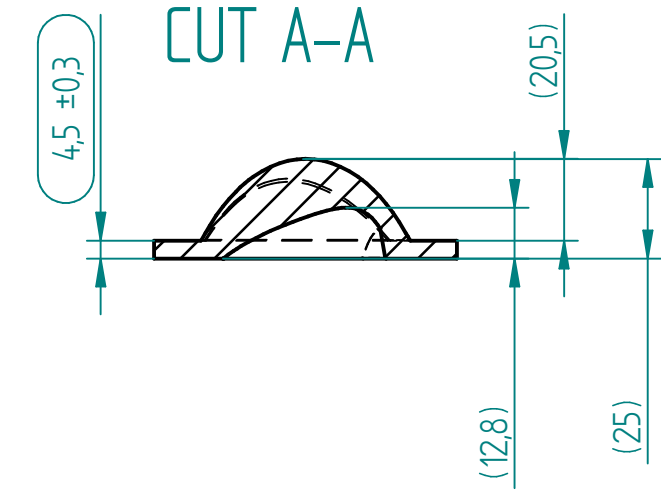


REVISION HISTORY			
REV	DESCRIPTION	DATE	APPROVED



material : GLASS  $n_d=1,520$

mass : 145g

LED diameter 17–30mm

NAME	DATE	
DRAWN	jkocarek 09/11/25	
CHECKED		
ENG APPR		
MGR APPR		TITLE
UNLESS OTHERWISE SPECIFIED DIMENSIONS ARE IN MILLIMETERS		street lens 140°x 50°
SIZE	DWG NO	REV
A4	A958 7625	
SCALE	WEIGHT	SHEET 1 OF 1