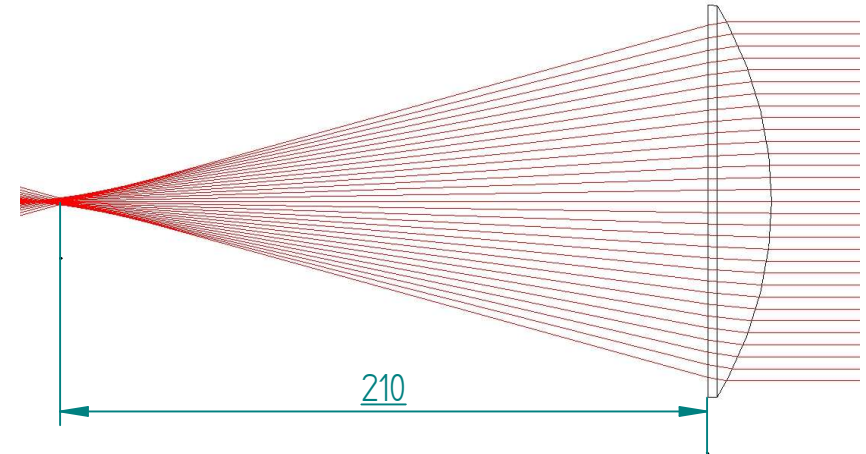
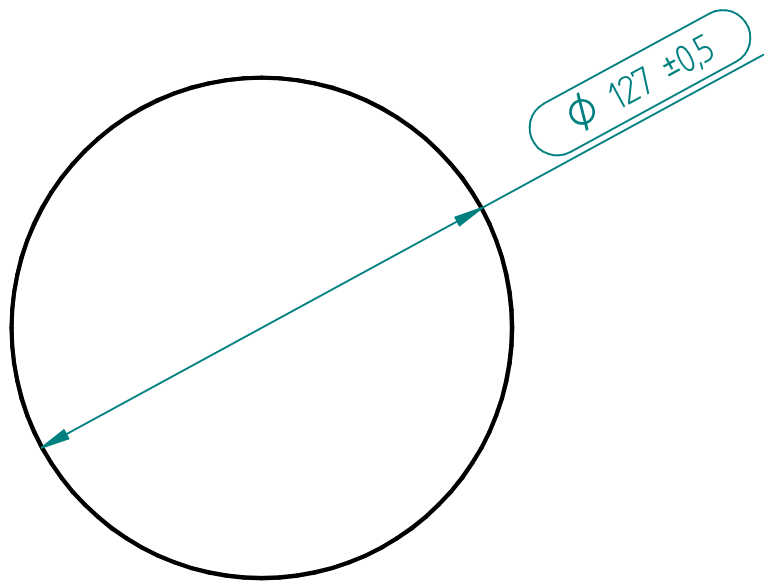
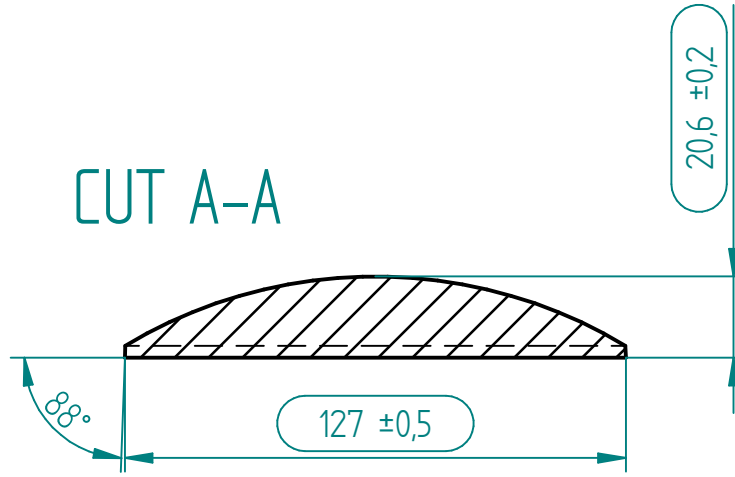
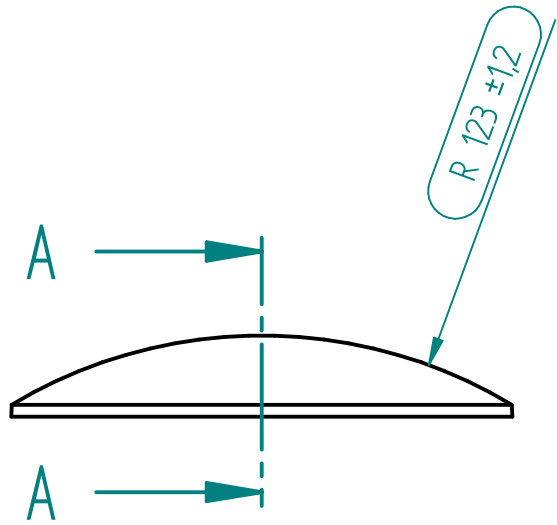


REVISION HISTORY			
REV	DESCRIPTION	DATE	APPROVED



material : GLASS $n_d=1,520$

	NAME	DATE	
DRAWN	jkocarek	03/30/26	
CHECKED			
ENG APPR			
MGR APPR			
UNLESS OTHERWISE SPECIFIED DIMENSIONS ARE IN MILLIMETERS			TITLE plano-spherical lens
SIZE	DWG NO	REV	
A4	A0721202	JJK	
FILE NAME: A0721202.dft			
SCALE:	WEIGHT:	SHEET 1 OF 1	